



# Compact "L" Style Vacuum Filters

"VL" Series 3"-6" MPT, 4"-6" 125/150# Pattern Flange

## APPLICATIONS & EQUIPMENT

- Vacuum Pumps & Systems – P.D., Side Channel, Rotary Vane, Screw, Piston
- Pneumatic Conveying Systems
- Food Industry
- Cement
- Vacuum Packaging Equipment
- Remote Install for Piston, Screw & Centrifugal Compressors
- Paper Processing
- Bag House Systems
- Vacuum Furnaces
- Factory Automation Equip
- Glass, Ceramic Processing
- Envelope Manufacturing
- Blowers - Side Channel & P.D.
- Ash Handling
- Waste Water Treatment
- Medical Industry
- Chemical Processing

## FEATURES & SPECIFICATIONS

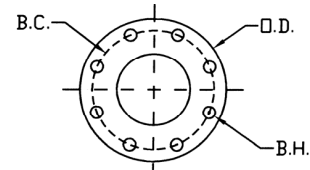
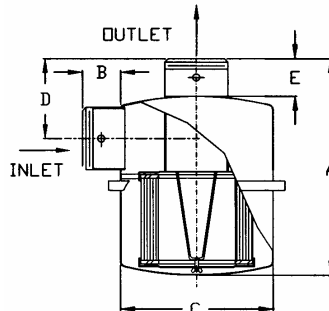
- **Vacuum level:** Typically  $1 \times 10^{-3}$  mmHg ( $1.3 \times 10^{-3}$  mbar)
- **Large dirt holding capacity and Easy field cleaning**
- Polyester: 99%+ removal efficiency standard to 5 micron
- Low pressure drop
- Paper: 99%+ removal efficiency standard to 2 micron
- Inlet/outlet 1/4" gauge taps standard
- **Compact** design for space restrictions
- Temp (continuous): min -15°F (-26°C) max 220°F (104°C)
- Quick release "V" band clamp for ease in maintenance
- Filter change out differential: 10" - 15" H<sub>2</sub>O over initial delta P
- Rugged all steel construction w/baked gray enamel finish
- Pressure drop graphs available upon request
- Positive engagement O-ring seal system

## OPTIONS (Inquiries Encouraged)

- "Straight Through" design (VS Series)
- Available in **Stainless Steel**
- Special connections
- Extended Shell for **High Holding Cap.**
- Epoxy coated housings
- Activated carbon prefilters to reduce order
- Various media
- Support brackets

## CONFIGURATION

## DRAWING



Flange Orientation

Note: All side inlet to top outlet flanges are orientated "split center".

Approx. 13" Service Area Needed

**I = Industrial Duty S = Severe Duty E = Extreme Duty**

Dimension tolerance  $\pm 1/4"$

|   | with Polyester Element | with Paper Element | Inlet & Outlet | Connection Style | DIMENSIONS - inches |       |    |   |       | Rated Flow SCFM |                | Approx. Wt. lbs |
|---|------------------------|--------------------|----------------|------------------|---------------------|-------|----|---|-------|-----------------|----------------|-----------------|
|   |                        |                    |                |                  | A                   | B     | C  | D | E     | Nominal Rating  | Element Rating |                 |
| E | VL-275P-300            | VL-274P-300        | 3"             | MPT              | 22 1/2              | 3 1/2 | 16 | 7 | 2 1/2 | 300             | 1100           | 63              |
| E | VL-275P-400            | VL-274P-400        | 4"             | MPT              | 23 1/2              | 3 1/2 | 16 | 8 | 3 1/2 | 520             | 1100           | 63              |
| S | VL-275P-500            | VL-274P-500        | 5"             | MPT              | 23 1/2              | 3 1/2 | 16 | 8 | 3 1/2 | 800             | 1100           | 63              |
| I | VL-275P-600            | VL-274P-600        | 6"             | MPT              | 23 1/2              | 3 1/2 | 16 | 8 | 3 1/2 | 1100            | 1100           | 63              |
| E | VL-275P-400F           | VL-274P-400F       | 4"             | FLG              | 23 1/2              | 3 1/2 | 16 | 8 | 3 1/2 | 520             | 1100           | 65              |
| S | VL-275P-500F           | VL-274P-500F       | 5"             | FLG              | 23 1/2              | 3 1/2 | 16 | 8 | 3 1/2 | 800             | 1100           | 65              |
| I | VL-275P-600F           | VL-274P-600F       | 6"             | FLG              | 23 1/2              | 3 1/2 | 16 | 8 | 3 1/2 | 1100            | 1100           | 65              |

| 125/150# Pattern Flg | DIMENSIONS - inches |       |      | No. of Holes | Flange Thickness |
|----------------------|---------------------|-------|------|--------------|------------------|
|                      | O.D.                | B.C.  | B.H. |              |                  |
| 4"                   | 9                   | 7 1/2 | 0.75 | 8            | 0.38             |
| 5"                   | 10                  | 8 1/2 | 0.88 | 8            | 0.38             |
| 6"                   | 11                  | 9 1/2 | 0.88 | 8            | 0.38             |